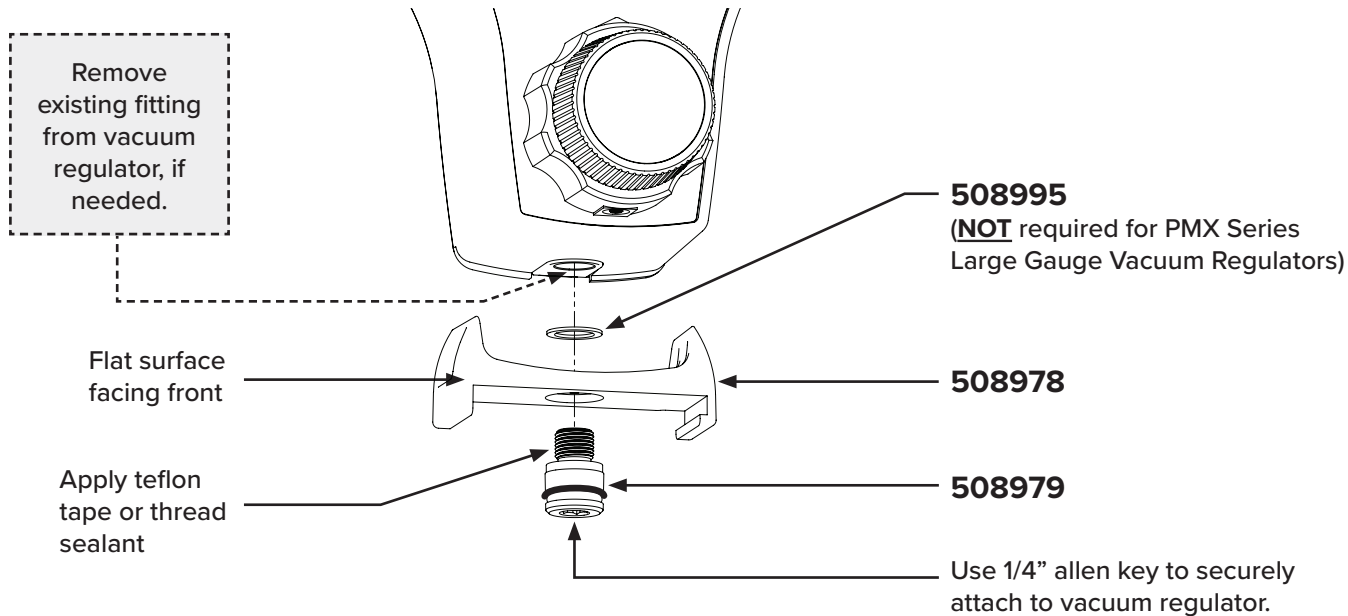


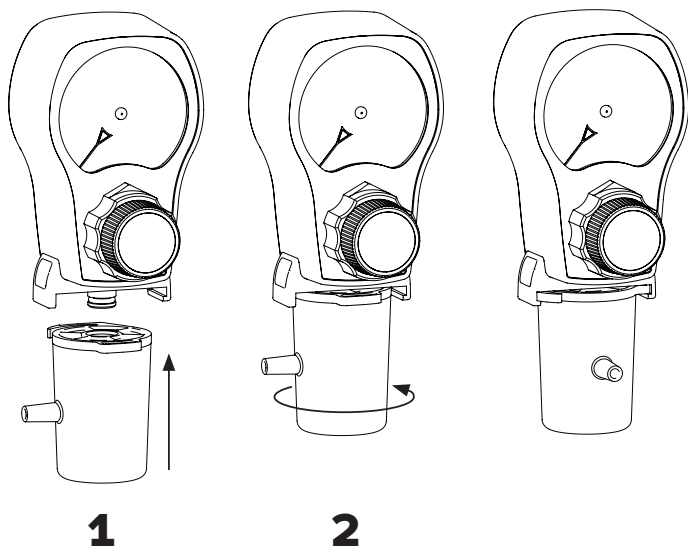
# PMX9000 DISPOSABLE VAC TRAP

## Adaptor Bracket Attachment



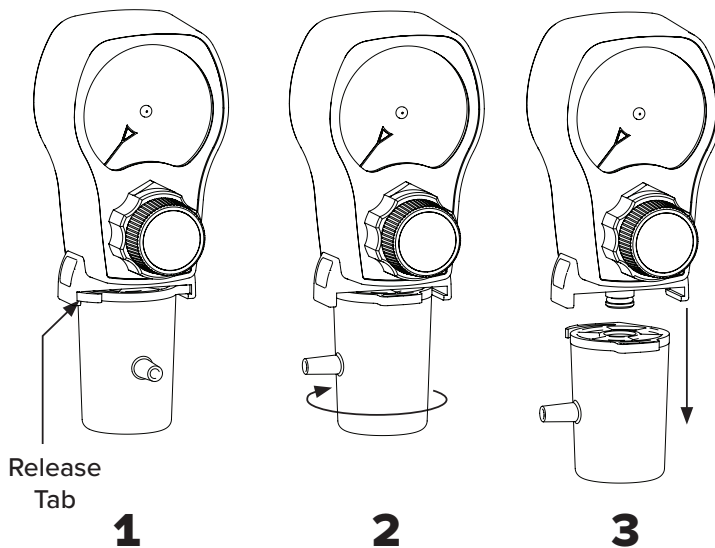
## Installation and Removal of PMX9000

### TO INSTALL



1. With the hose barb to your left, push the trap bottle over the o-ring and up to the bracket.
2. Rotate the trap bottle to your right until it locks into position.

### TO REMOVE



1. Push and hold release tab.
2. Rotate the trap bottle 90° to your left.
3. Pull trap bottle down to remove.